

U2

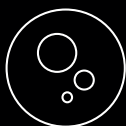
Dispense Options



Chilled



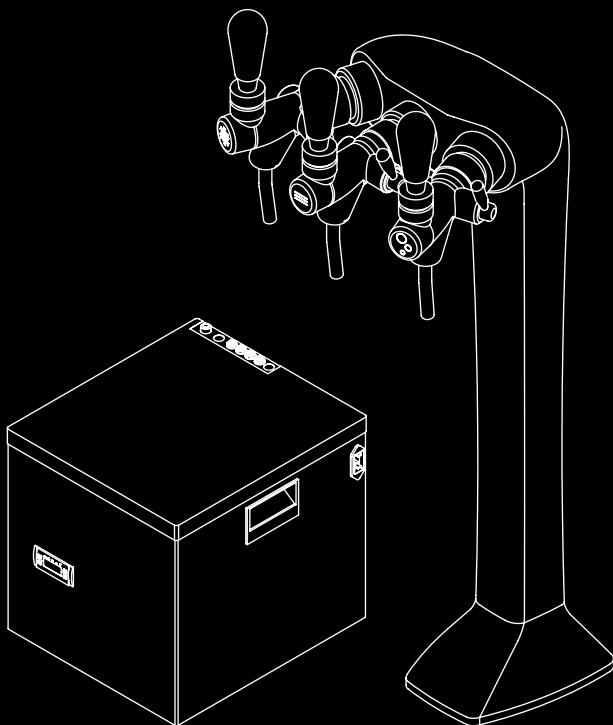
Ambient



Sparkling

Contents

- Component/Feature Overview
- Operation
- Functions & Controls
- General Safety
- CO2 Bottle Installation

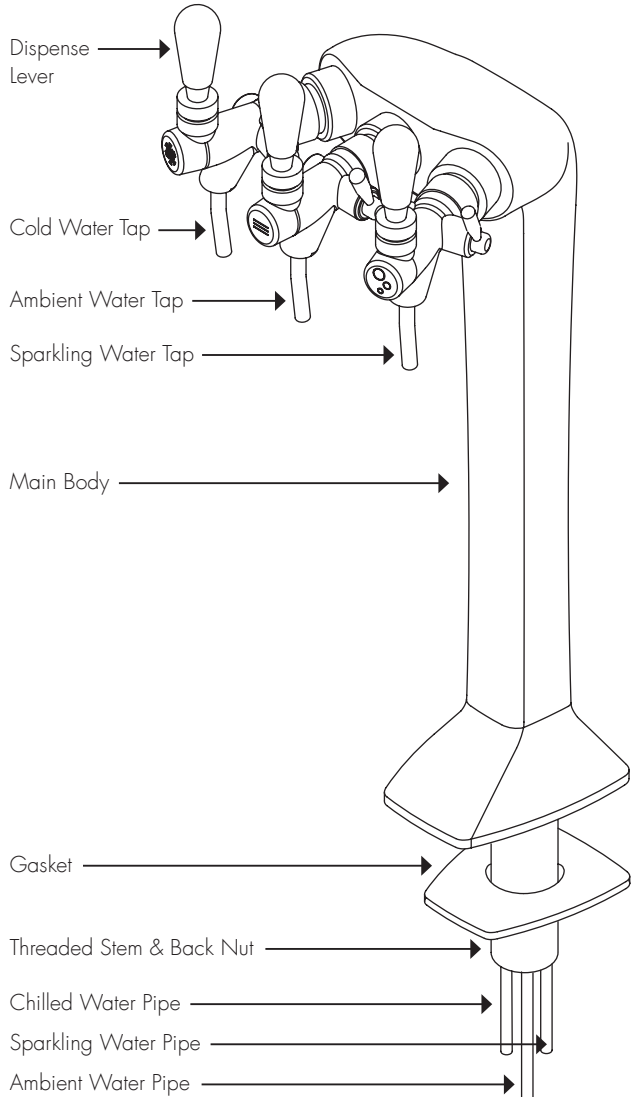


Component/ Feature Overview

U2 Tap - Major Components

Contents:

- 1 no Tap Tower
- 2/3 no Tap Spacers
- 2/3 no Tap Lever sets
- 1 no u2 Dispense Label Set
- 1 no u2 Tap Nut
- 1 no u2 Mounting Gasket



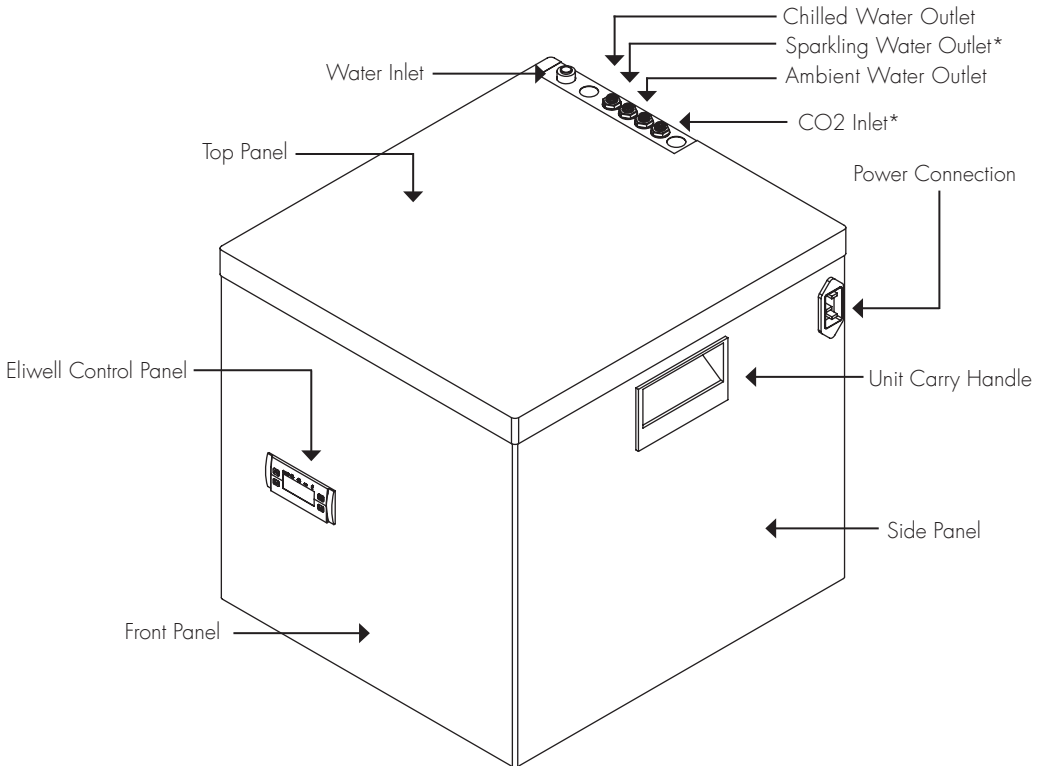
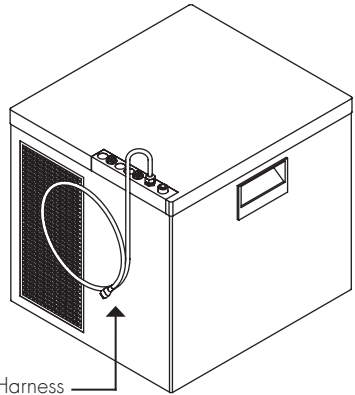
Please Note:

Mains Installation Kit & Filters are supplied as extra items according to individual ordering requirement. Ambient water pipe always longest.

S2 Undercounter - Major Components

Contents:

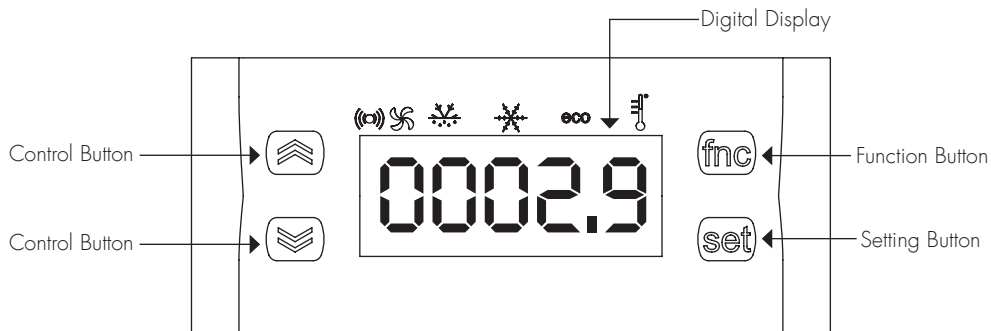
- 1 no Undercounter Unit
- 1 no 2.0m Power Cord Set
- 1 no Co2 Regulator with Gauge & Connection tube
- 1 no Stainless Steel Drip Tray (c/w with Drain Outlet Cap)
- 1 no Simple Vent Kit
- 3 no Outlet Supply Pipes



*Sparkling versions only.

Operation

Eliwell Control Panel



Basic Settings

Adjusting the Set Point:

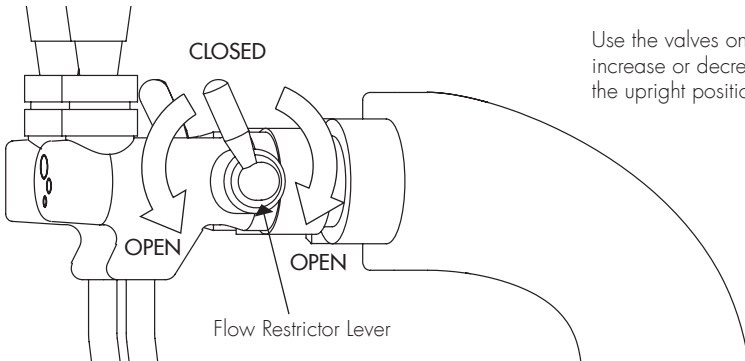
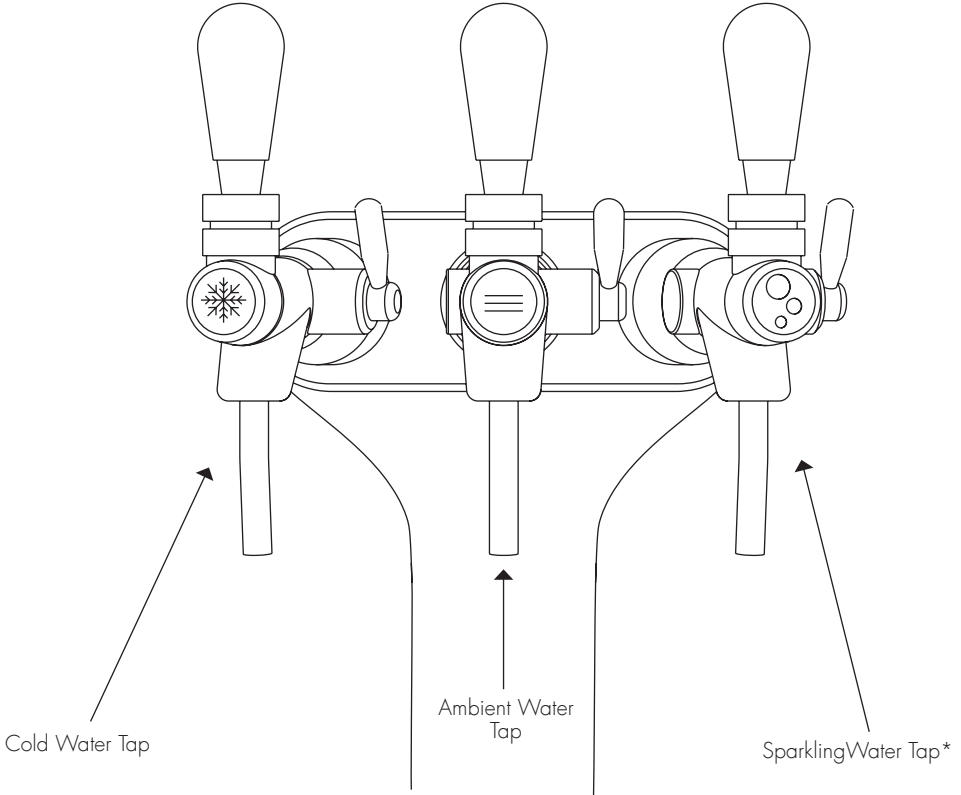


1. Switch on Mains power – the display will flash several times, then the fridge system will switch on and the display will give a steady reading, this is the temperature of the water bath sensor.
2. Press and release the 'Set' button – The display will show 'SET'.
3. Press 'Set' again and the display will show a numeric value (e.g. 9°C).
4. Raise or lower this figure to the desired setting using the up or down arrows on the left of the control display window.
5. When the correct setting is shown in the display window press 'Set' button the display will now show SET.
6. Press FNC button to return to the probe temperature reading.



Functions & Controls

Tap Control Panel



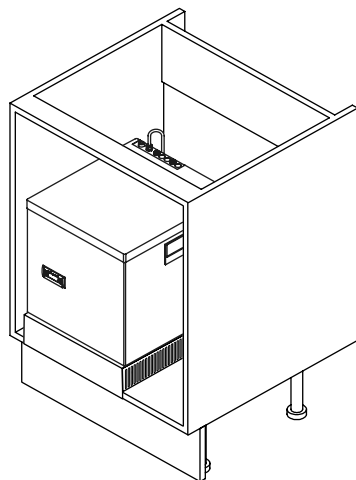
Use the valves on the sides of the taps to increase or decrease flow rate. Lever in the upright position is fully closed.

*Sparkling versions only.

General Safety

General Safety

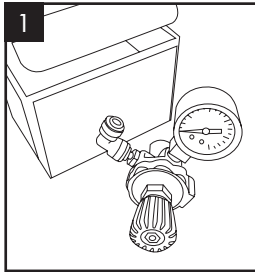
- Always place the dispenser in its vertical position, on a surface which can capably support its weight.
- During use this machine must remain in its upright position.
- Adequate ventilation must be allowed for - we recommend using the supplied ventilation ducting kit.
- Keep the machine away from sunlight, heat and moisture.
- The environment where this machine is installed must be free of dust and corrosive/explosive gases.



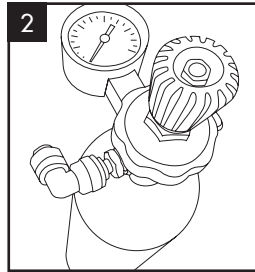
Basic Troubleshooting

Problem/Report	Possible Cause	Suggested Action
No Water Dispensing	Water Pressure Regulator	Contact your distributor.
No Sparkling Water - If applicable	No CO2 pressure, check by operating pressure relief valve on carbonator tank.	Check CO2 bottle, regulator and non-return valve. Supply pressure should be 58 psi (4bar), adjust or replace as necessary.
	Carbonator Tank Not Filling	Contact your distributor.
Poor Quality Carbonation - If applicable	Incorrect CO2 Pressure	Check CO2 bottle, regulator and non-return valve. Supply pressure should be 58 psi (4bar), adjust or replace as necessary.
	Air in Carbonator Tank	Isolate the power supply and operate the sparkling water tap until gas is expelled. Allow gas to expel for 5 seconds. Switch on power supply and allow the tank to refill.
	Residue in Carbonator Tank	After prolonged use, a surface film can develop within the carbonator tank. Refer to cleaning and sanitising instructions.
	Carbonator Tank is Overfilled	If pump runs continuously, contact your distributor.
Warm Drinks	Insufficient cooling air flow through the fridge.	Contact your distributor.
	Compressor not running.	
	Eliwell fridge controller not operating.	
	PCB not operating.	
	Fridge failure.	

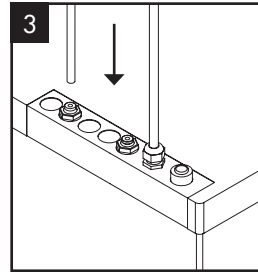
CO2 Bottle Installation - Sparkling Versions Only



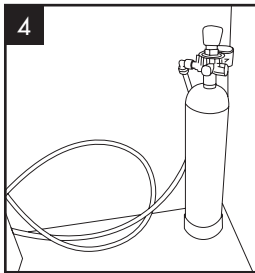
1 Unpack CO2 Regulator and fit elbow fitting to spigot outlet.



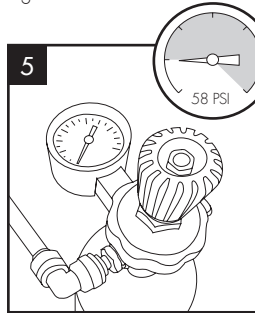
2 Attach the regulator to the disposable CO2 bottle, ensuring the pressure relief vent is facing away from you. Ensure the regulator is closed.



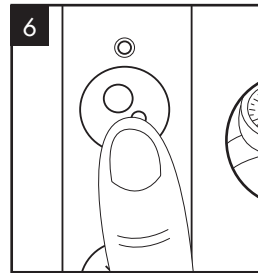
3 Connect the assembled CO2 bottle and regulator to the CO2 inlet using a 1/4" pipe.



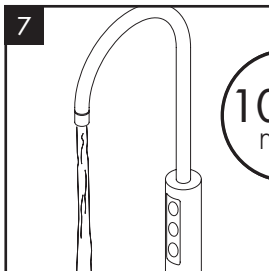
4 Stand the cylinder in a suitable place.



5 We recommend between 3.5 - 4 bar (58 PSI) (max). Do not exceed 4 bar pressure.



6 It is necessary to prime the sparkling system - push the sparkling button for a few seconds until CO2 is coming through. Check and adjust the CO2 pressure accordingly.



7 Allow the machine to stand for 8 - 12 minutes for the initial chilling process to complete.

For full distributor
service manual
visit:

[www.borgandoverstrom.com/
dealer/service-manuals](http://www.borgandoverstrom.com/dealer/service-manuals)



For user guides
for parts and
accessories visit:

[www.borgandoverstrom.com/
en/support/userguides/
accessories](http://www.borgandoverstrom.com/en/support/userguides/accessories)



For warranty visit:

[https://www.borgandoverstrom.
com/en/support/warranty/](https://www.borgandoverstrom.com/en/support/warranty/)



Customer services:
aftersales@borgandoverstrom.com
call +44 1362 695 006

Telephone
+44 (0)1362 695 006
Email
sales@borgandoverstrom.com

borgandoverstrom.com

© Copyright Borg & Overström.
This guide is printed by Borg & Overström and
shall not be reproduced or copied in anyway.

Ref: 838023
Document Reference: v2